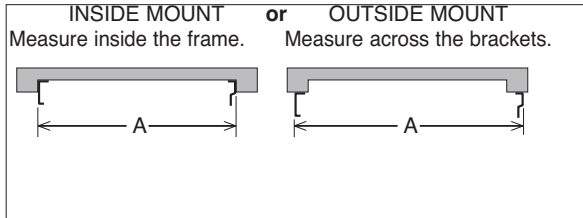


R-Series Fabrication

1. CALCULATE THE EXACT WIDTH OF A SHADE - DIMENSION "C"

a. Measure dimension ("A"), the distance between the outside of the brackets.

b. Subtract dimension ("B"), the amount of room taken up by the clutch, end plug and brackets.



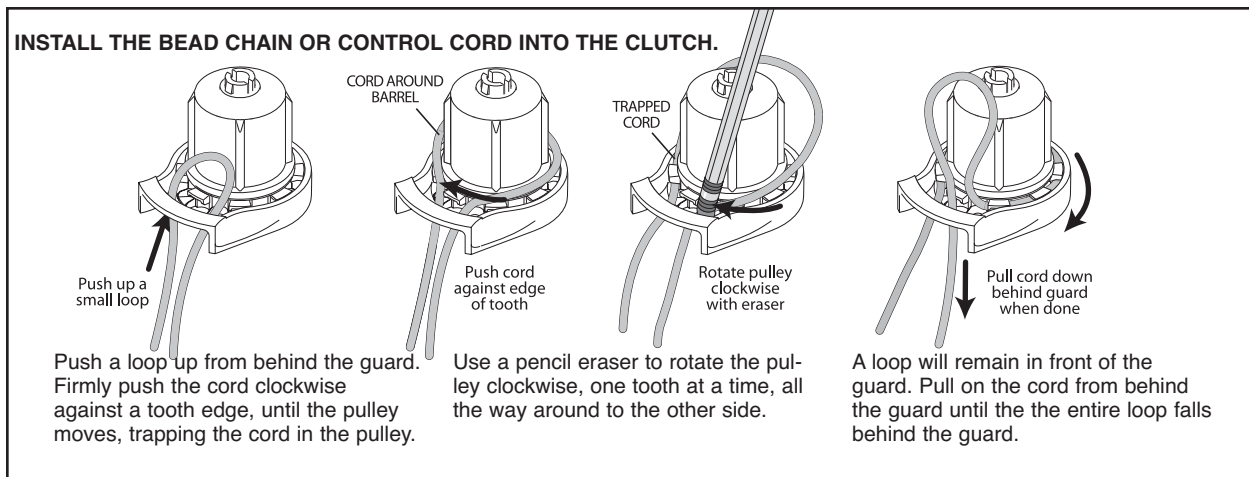
CLUTCH MODEL	DIMENSION B
R3 or R8 clutch	1 1/8" (28mm)
R16 or R24 (no adapters)	1 1/4" (32mm)
R16 or R24 (2" adapters) (50mm adapters)	1 3/8" (35mm)

Use the formula: $A - B = C$ For example: If measurement "A" is 38" (965mm), and you're using a R16 clutch, "B" is 1 1/4" (32mm)...

$$38" - 1 \frac{1}{4}" = 36 \frac{3}{4}" \quad "C" = 36 \frac{3}{4}" \quad (965\text{mm} - 32\text{mm} = 933\text{mm}, "C" = 933\text{mm})$$

2. **CUT BOTH SHADE CLOTH AND TUBE TO DIMENSION "C"**. Peel the yellow plastic backing from the sticky tape and affix the cloth to the tube and roll up the shade. Take care to adhere the cloth straight onto the tube so the shade rolls up evenly.

3. INSTALL THE BEAD CHAIN OR CONTROL CORD INTO THE CLUTCH.



Push a loop up from behind the guard. Firmly push the cord clockwise against a tooth edge, until the pulley moves, trapping the cord in the pulley.



Use a pencil eraser to rotate the pulley clockwise, one tooth at a time, all the way around to the other side.

A loop will remain in front of the guard. Pull on the cord from behind the guard until the entire loop falls behind the guard.

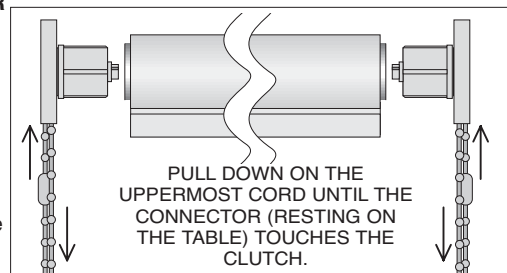
4. **IF USING 2" (50MM) TUBE, INSERT ADAPTERS.** The adapters must be inserted into the tube before the clutch and plugs are inserted.

5. IF USING PLASTIC BEAD CHAIN, POSITION THE PLASTIC CONNECTOR AS THE UPPER SHADE STOP.

Decide which end of the tube you want to put the clutch in. Keep track of which is the "clutch end" of the tube.

Roll the shade all the way up and lay it on the work table so it looks like this , and not like this .

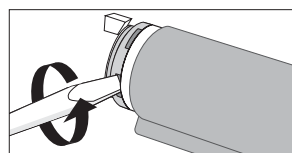
Point the clutch into "its" end of the tube, and pull on the upper chain until the connector touches the clutch firmly. (Do not attach the lower plastic stop, or any stops on metal bead chain, until installing the shade.)



PULL DOWN ON THE UPPERMOST CORD UNTIL THE CONNECTOR (RESTING ON THE TABLE) TOUCHES THE CLUTCH.

6. INSERT THE CLUTCH AND END PLUG INTO THE TUBE.

IMPORTANT: To remove the clutch or end plug from the tube, gently twist a screwdriver in one or more of the slots between the plastic part and the metal tube. **DO NOT PULL** the parts out; you might break them. Only pry them gently.

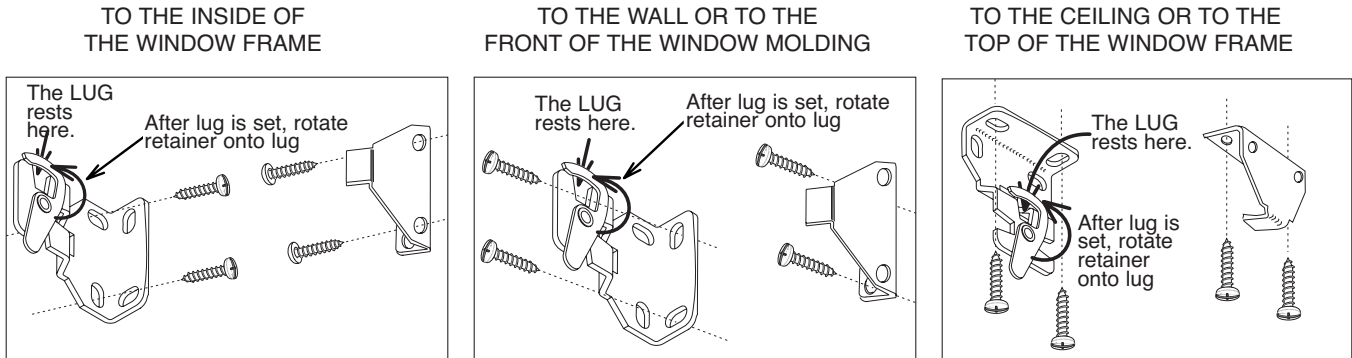


R-Series

R-Series Installation

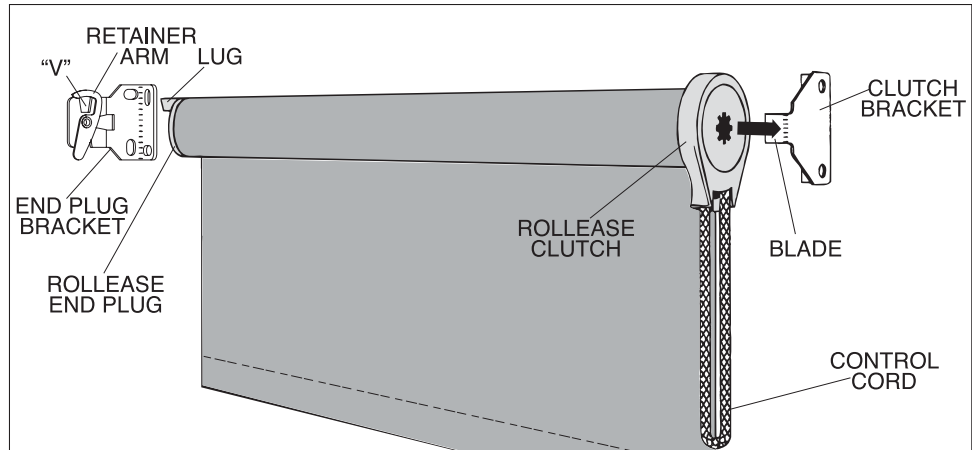
1. MOUNT THE BRACKETS.

If the clutch is on the right end of the shade, attach the brackets to the window frame, window molding, wall or ceiling, as shown below. If the clutch is on the left end of the shade, reverse the bracket positions, left for right.



2. INSTALL THE SHADE.

- a. Push the clutch straight onto the blade of its bracket. The bottom of the clutch should always point straight down.
- b. Lower the lug of the end plug onto the "V" of its bracket. The roller should fit in the brackets securely, with just a little play. Rotate the riveted retainer portion to lock the lug in position.



3. INSTALL THE TENSION DEVICE

See page R30 for details



4. USE THE CONTROL CORD TO OPERATE THE SHADE.

Pulling gently on the cord in one direction raises the shade; pulling it in the other direction lowers it.

On shades where the fabric rolls against the window, the front cord does the raising. On shades where the fabric rolls toward the room, the rear cord does the raising.

5. ATTACH STOPS TO A CONTROL CORD THAT'S MADE OF BEAD CHAIN.

On metal bead chain, attach a metal stop ball that is at least 5/16" (8mm) in diameter, so that it touches the mouth of the clutch when the shade is in the all-rolled-up position.

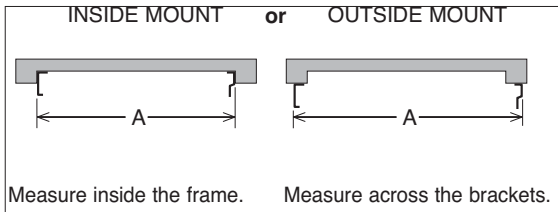
For metal or plastic bead chain, lower the shade to sill or floor height, and attach the appropriate metal stop or plastic connector next to the clutch, this prevents the shade from being lowered beyond that point.

R-Series Fascia Fabrication

1. CALCULATE THE EXACT WIDTH OF A SHADE - DIMENSION "C"

a. Measure dimension ("A"), the distance between the outside of the brackets.

b. Subtract dimension ("B"), the amount of room taken up by the clutch, end plug and brackets.



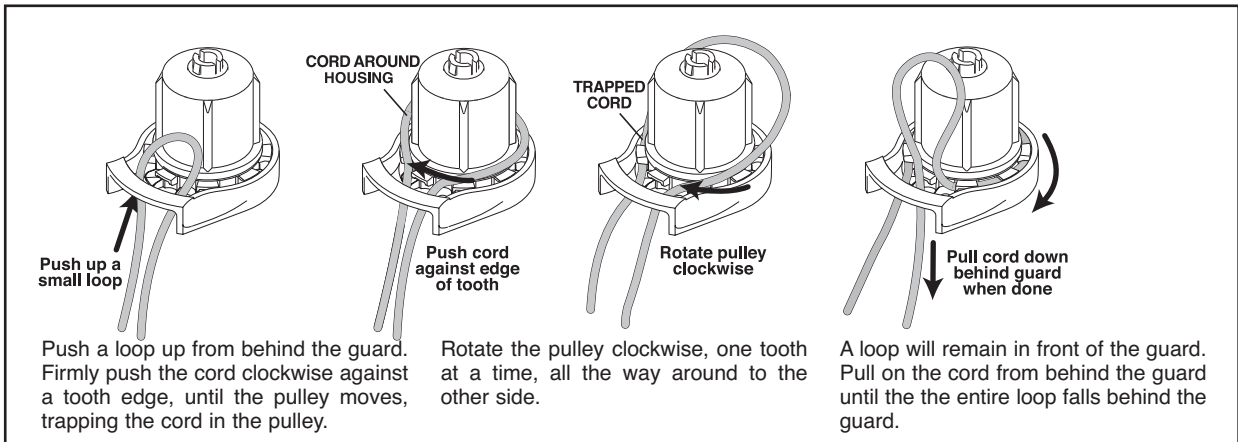
CLUTCH MODEL	DIMENSION B
R3 or R8 clutch	1 1/16" (27mm)
R16 or R24 (no adapters)	1 3/16" (30mm)
R16 or R24 (2" adapters) (50mm adapters)	1 5/16" (33mm)

Use the formula: **A - B = C** For example: If measurement "A" is 38" (965mm), and you're using a R16 clutch, "B" is 1 3/16" (30mm) ...

$$38" - 1 \frac{3}{16}" = 36 \frac{13}{16}" \text{ "C" } = 36 \frac{13}{16}"$$

$$965\text{mm} - 30\text{mm} = 935\text{mm} \text{ "C" } = 935\text{mm}$$

2. CUT BOTH SHADE CLOTH AND TUBE TO DIMENSION "C". Peel the yellow plastic backing from the sticky tape and affix the cloth to the tube and roll up the shade. Take care to adhere the cloth straight onto the tube so the shade rolls up evenly.





3. INSTALL THE BEAD CHAIN OR CONTROL CORD INTO THE CLUTCH.

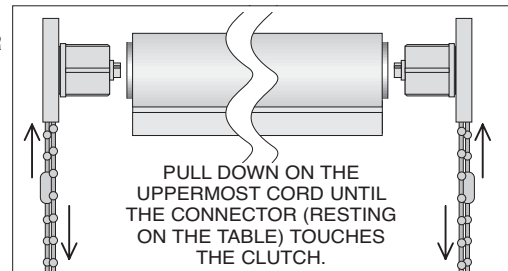
4. IF USING 2" (50MM) TUBE, INSERT ADAPTERS. The adapters must be inserted into the tube before the clutch and plugs are inserted.

5. IF USING PLASTIC BEAD CHAIN, POSITION THE PLASTIC CONNECTOR AS THE UPPER SHADE STOP.

Decide which end of the tube you want to put the clutch in. Keep track of which is the clutch end of the tube.

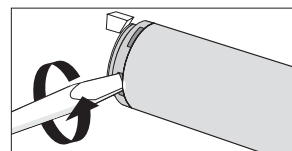
Roll the shade all the way up and lay it on the work table so it looks like this , and not like this .

Point the clutch into its end of the tube, and pull on the upper chain until the connector touches the clutch firmly. (Do not attach the lower plastic stop, or any stops on metal bead chain, until installing the shade.)



6. INSERT THE CLUTCH AND END PLUG INTO THE TUBE.

IMPORTANT: To remove the clutch or end plug from the tube, gently twist a screwdriver in one or more of the slots between the plastic part and the metal tube. **DO NOT PULL** the parts out; you might break them. Only pry them gently. If the clutch is on the left end of the shade, reverse the bracket positions, left for right.



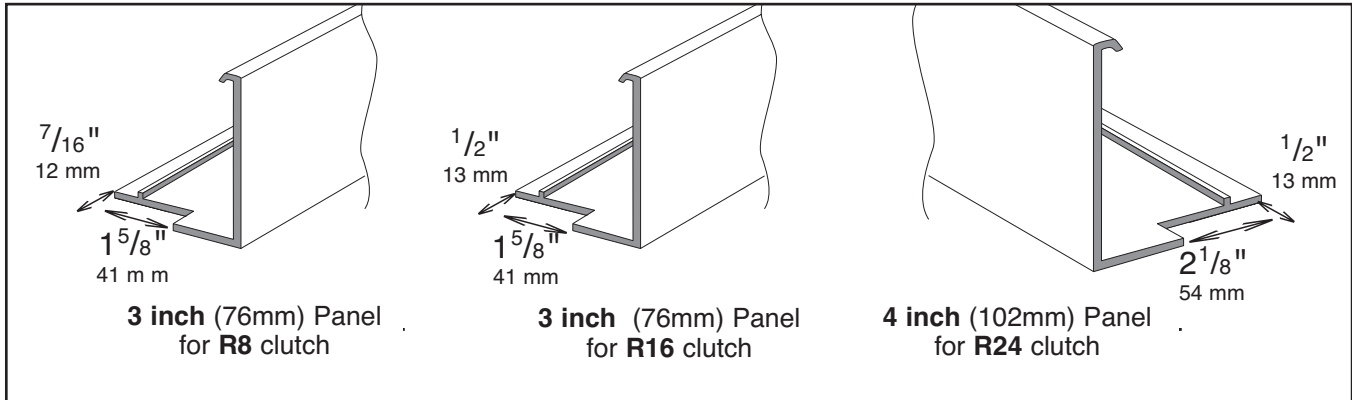
TECHNICAL

R-Series Fascia Fabrication - Installation

7. **CUT FASCIA PANEL TO DIMENSION "A"** as calculated in step 1, over.

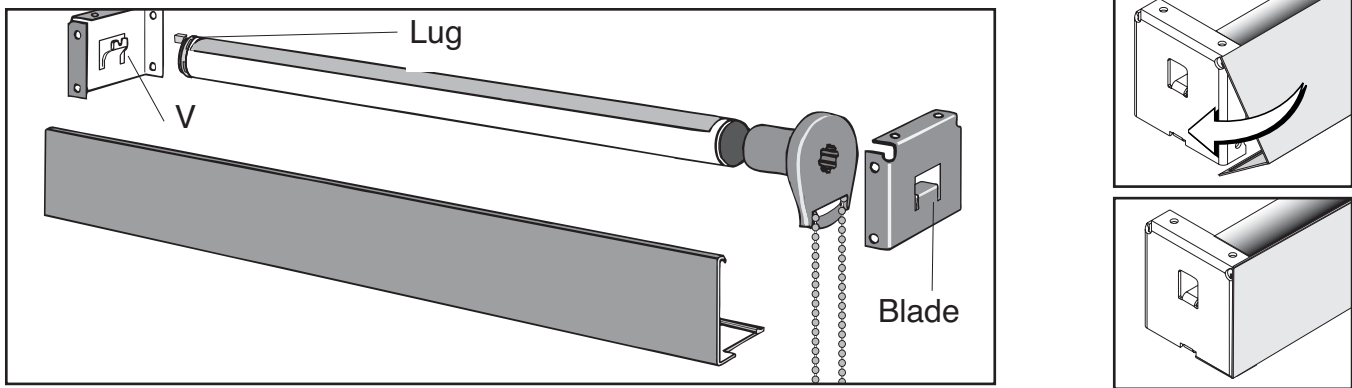
8. **CUT AN OPENING IN THE BOTTOM OF THE CLUTCH END OF THE FASCIA PANEL. DEBURR THE CUT EDGES.**

The clutch bottom and control cord will fit through this opening. The openings for the R8 and R16 clutches are shown for left-hand control. The opening for the R24 clutch is shown for right-hand control.



INSTALLATION

1. **MOUNT THE BRACKETS.** The open end of each bracket faces downward, as shown in the drawing below. **NOTE:** If you have an inside mount and must use inside mount holes, you will have to drill your own holes in the side of the bracket. Use at least two screws per bracket, and make sure that the screw heads clear the clutch.



2. **INSTALL THE SHADE.** Push the clutch straight onto the blade of its bracket. The bottom of the clutch should always point straight down, as shown above. Lower the lug of the end plug onto the V of its bracket. The roller should fit in the brackets securely, with just a little play.

ATTACH FASCIA PANEL Attach the fascia by first hooking the top lip of the fascia panel onto the bracket as shown. Swing the bottom the fascia panel towards the bracket and gently press at the bottom to the panel until the lip on the fascia engages and snaps locked to the bracket.

3. **ATTACH STOPS TO METAL OR PLASTIC BEAD CHAIN.** For plastic bead chain: use connector for top stop and attach another connector for lower stop. For metal bead chain: attach a metal stop ball at least 5/16 inch (8 mm) in diameter so that it touches the clutch when the shade is rolled all the way up. For both kinds of bead chain, lower the shade to sill or floor height, and snap the appropriate metal stop or plastic connector on the opposite side from the stop, so that the shade cannot be lowered beyond that point.

4. **INSTALL THE TENSION DEVICE:** See page Tension device assembly sheet for details



5. **USE THE CONTROL CORD OR BEAD CHAIN TO OPERATE THE SHADE.** Pulling gently on one side of the control cord or bead chain raises the shade; pulling down on the other side lowers it.